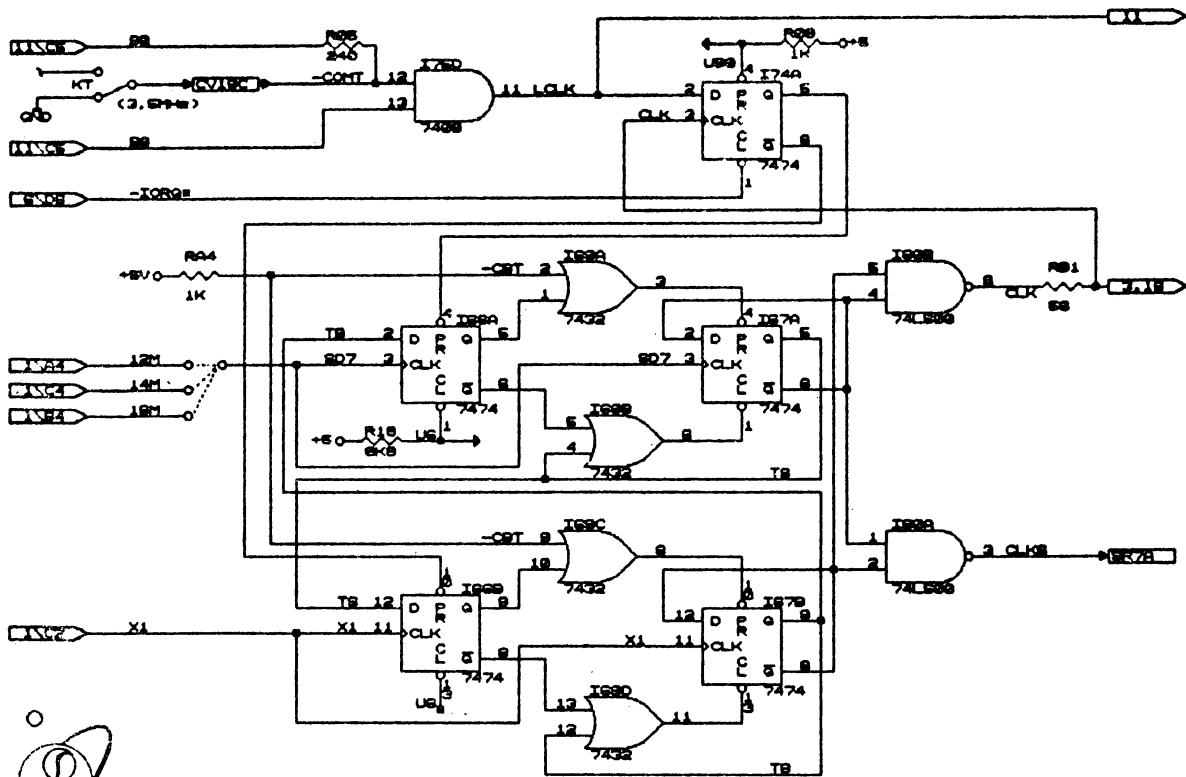
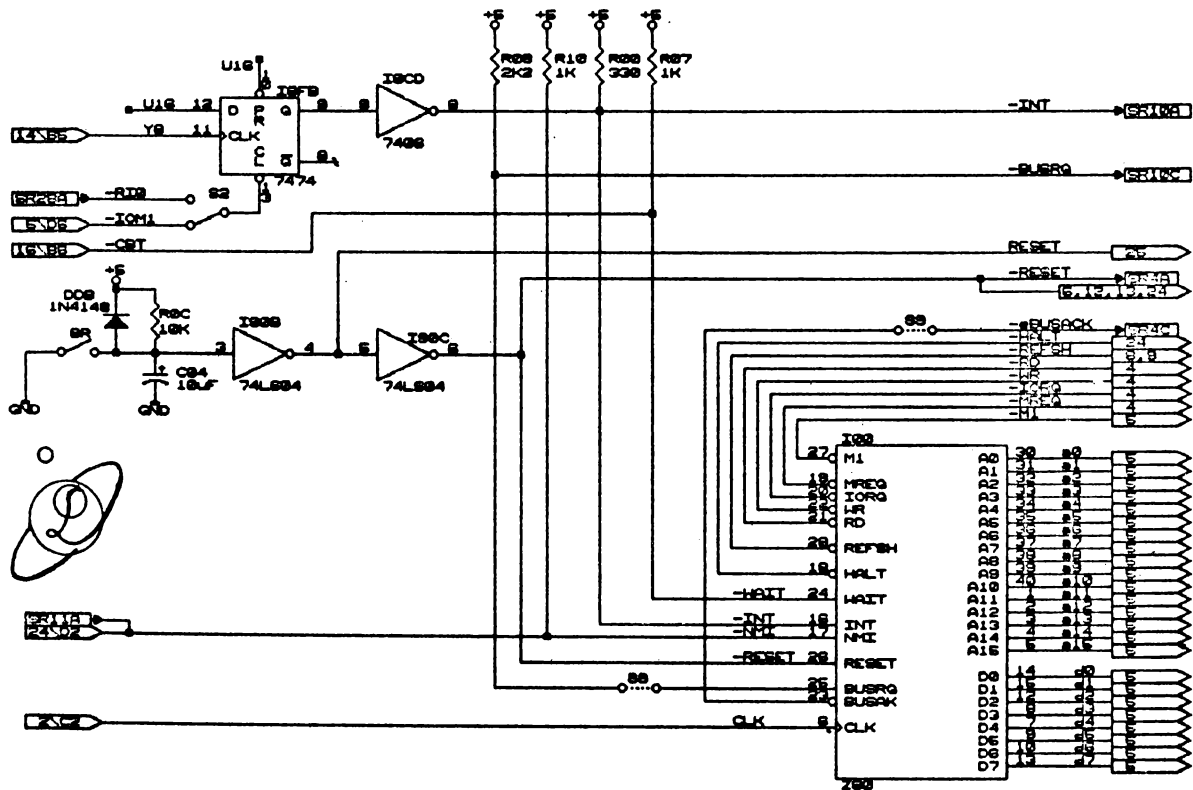


Proiectat : Panescu D.  
Size Document Number TIM-S-PLUS 8825-SC-3 REV  
A Generatoare de tact  
Date: January 1, 1988 Sheet 1 of 41

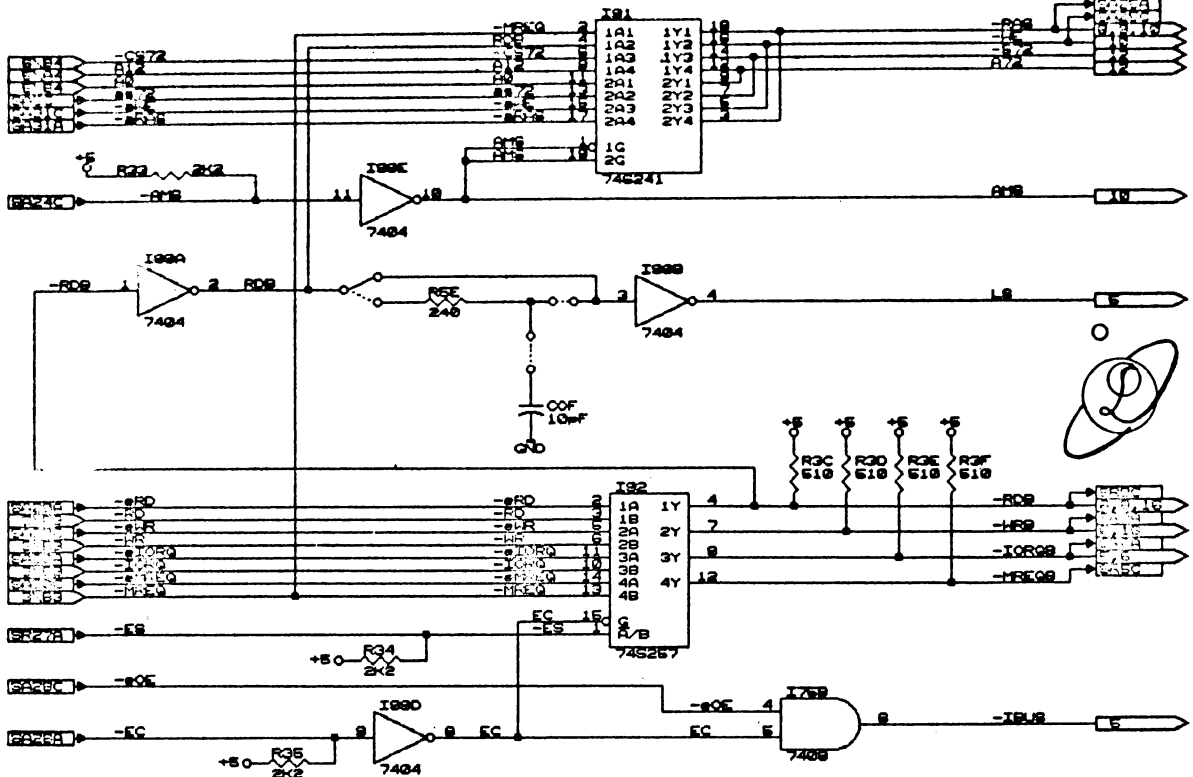




Proiectat i Panescu D.

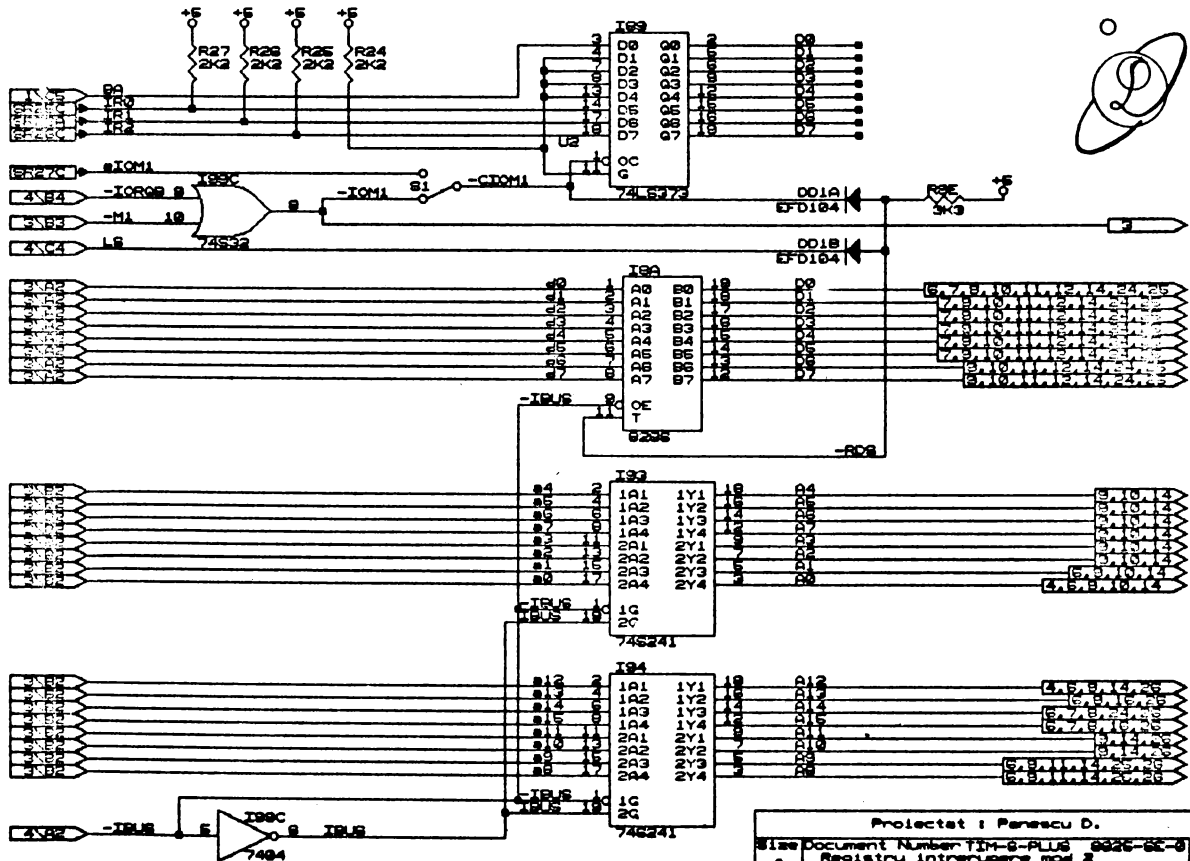
Size Document Number TIM-6-PLUS 9925-SC-0 REV  
A Unitate centrale - Z00

Date: January 1, 1988 Sheet 3 of 4



Proiectat i Panescu D.

Size Document Number TIM-6-PLUS 0025-SE-0 REV  
 A Multiplexare registrata de comenzi 3  
 Date: January 1, 1980 Sheet 4 of 42



Proiectat i Parascu D.  
Size Document Number TIM-g-PLUS 6326-66-g-REV  
A Registru intreruptoare mod 2  
Amplificatoare de masurare  
Date: January 1, 1980 15-sec 8 of 48

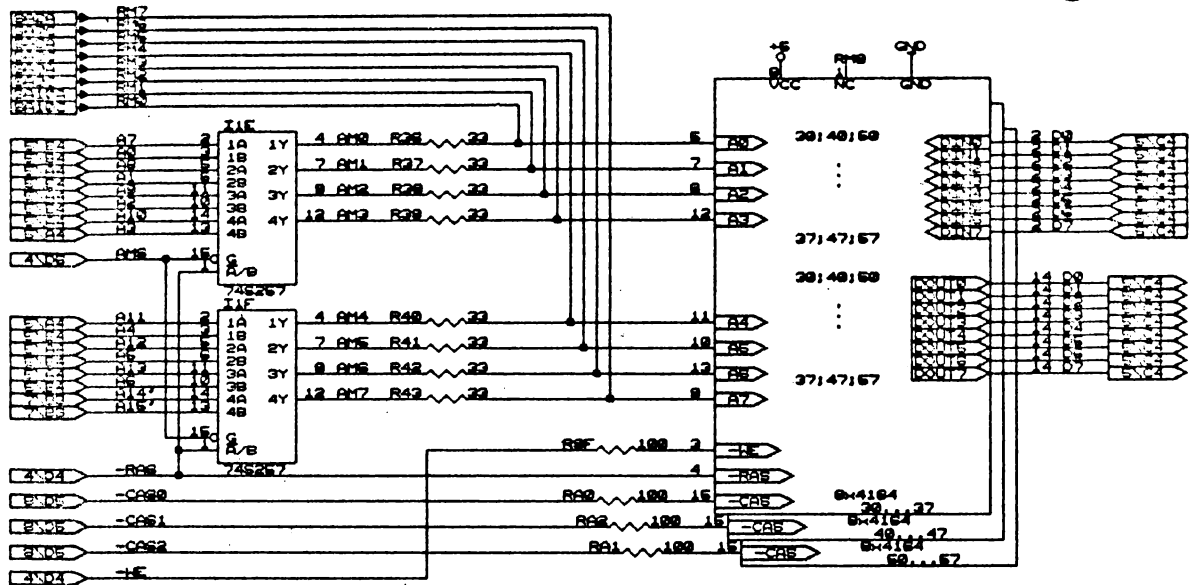








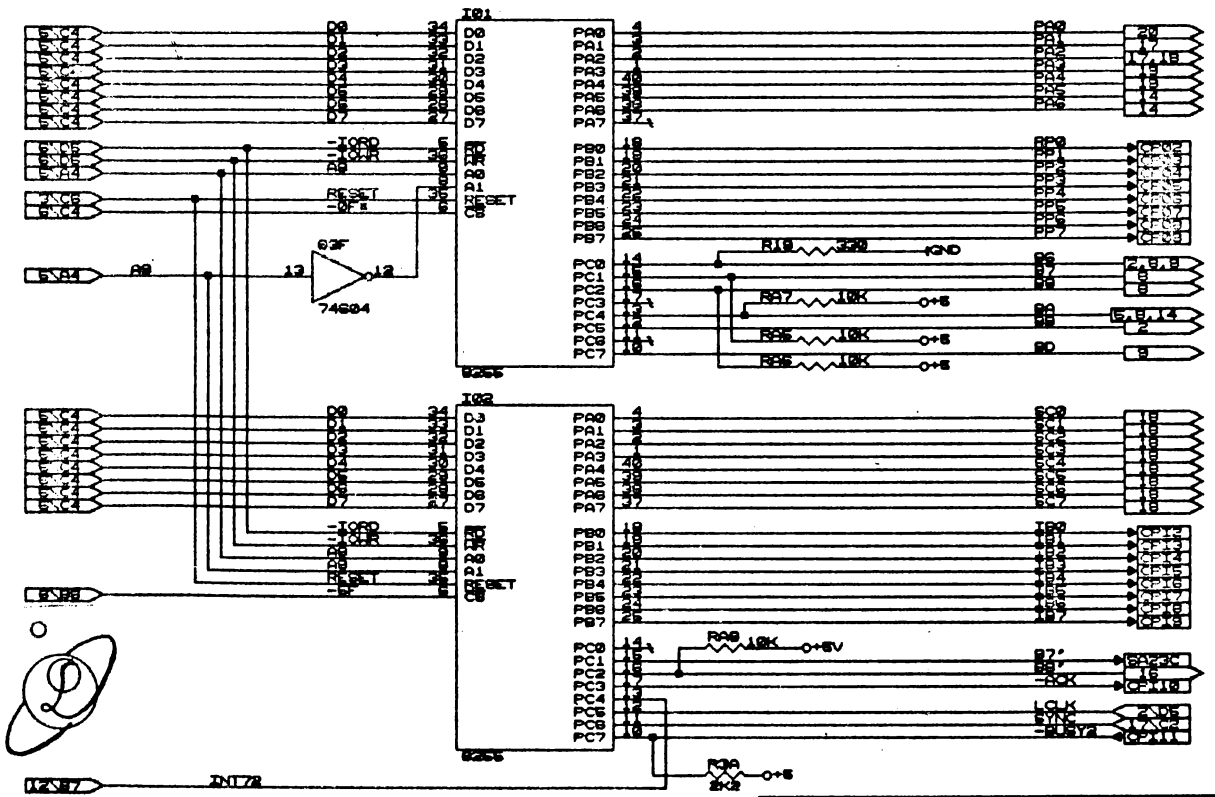




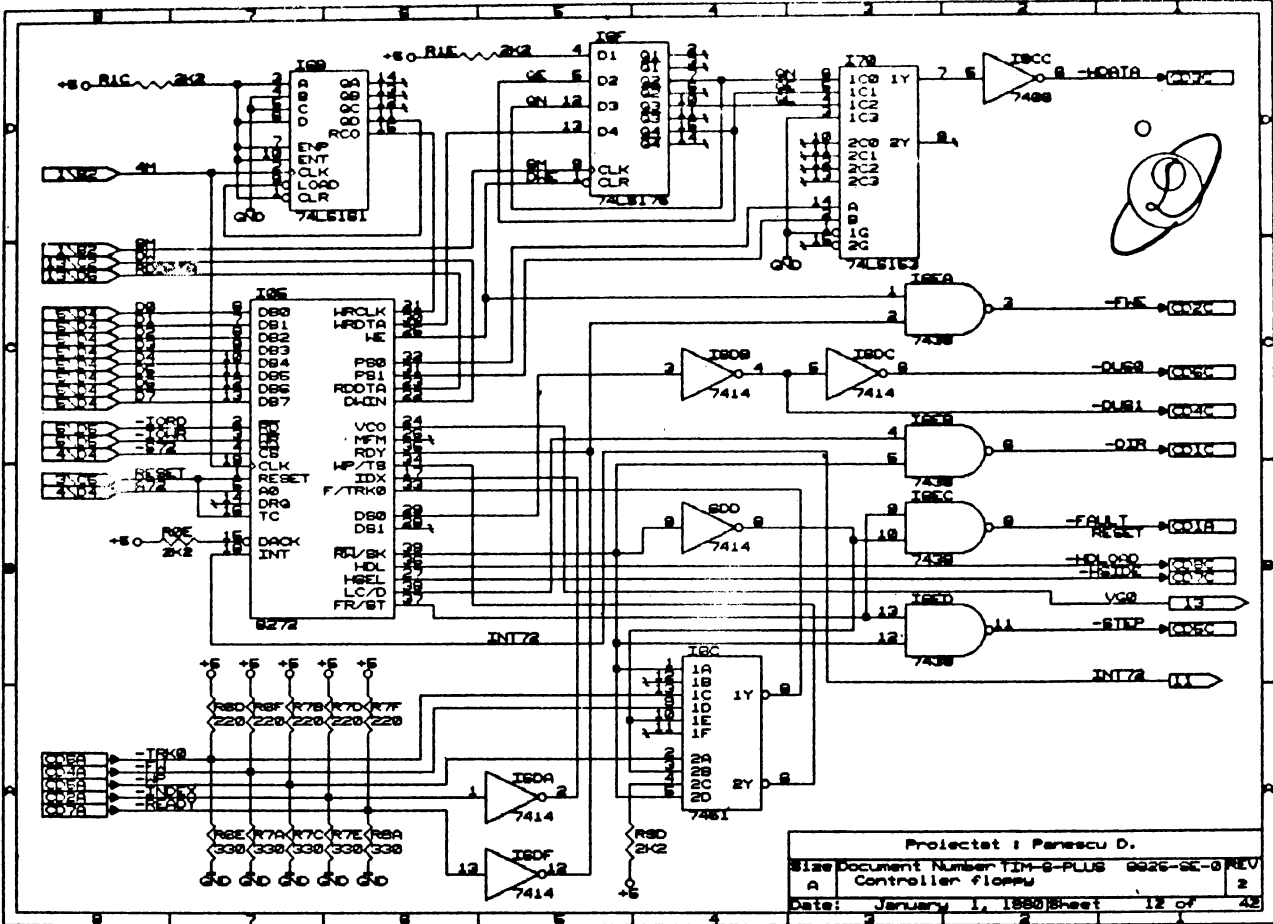
Proiectat i Parescu D.

Size Document Number TIM-6-PLUS 0026-SC-0 REV  
 A Memoria RAM sistem. adresa 2

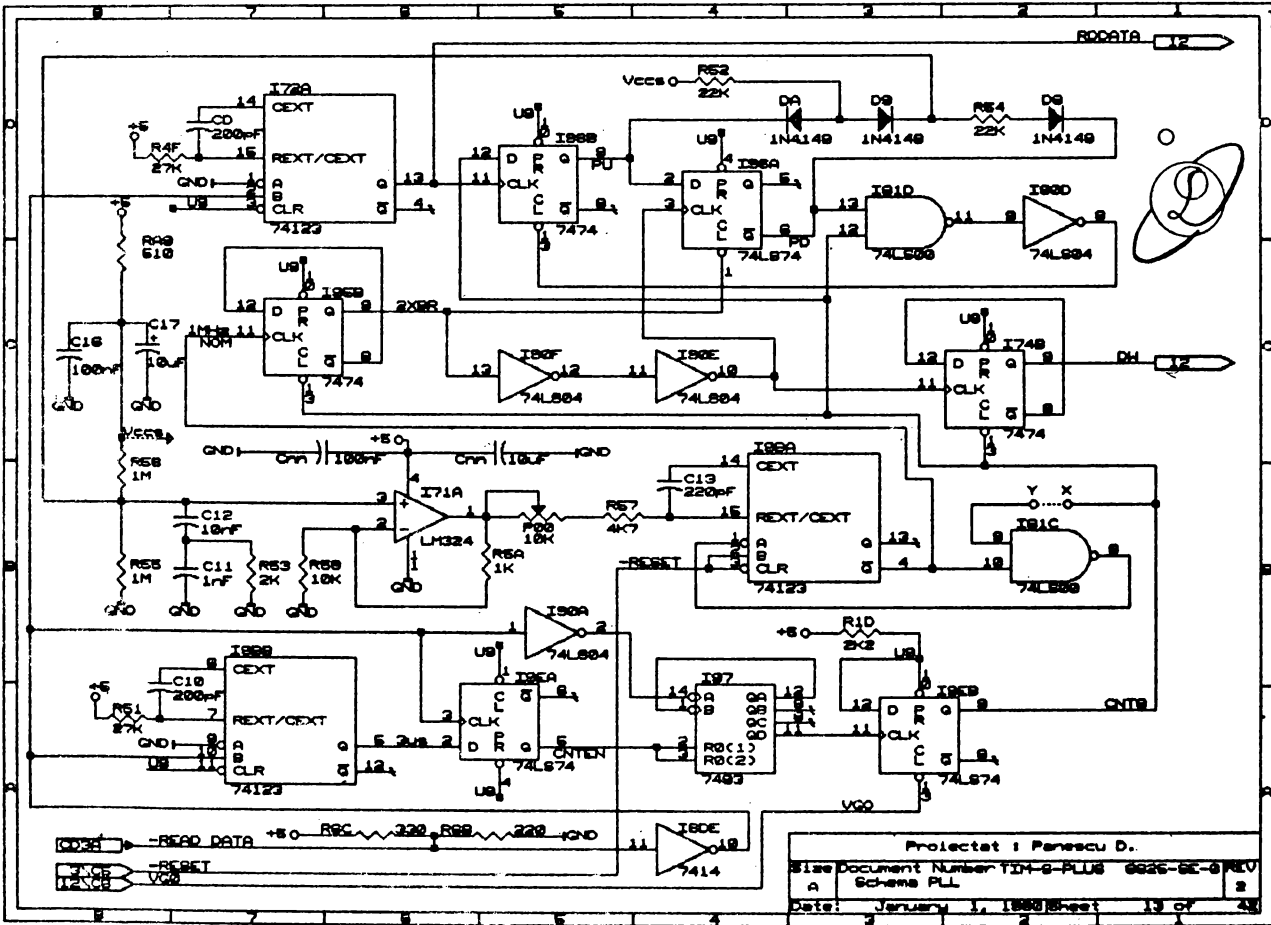
Date: January 1, 1980 Sheet 10 of 42



Proiectat 1 Parascu D.  
 Size Document Number T14-6-PLUS 8226-82-8 REV  
 A Parturi parscule 8226  
 Date: January 1, 1988 Sheet 11 of 48



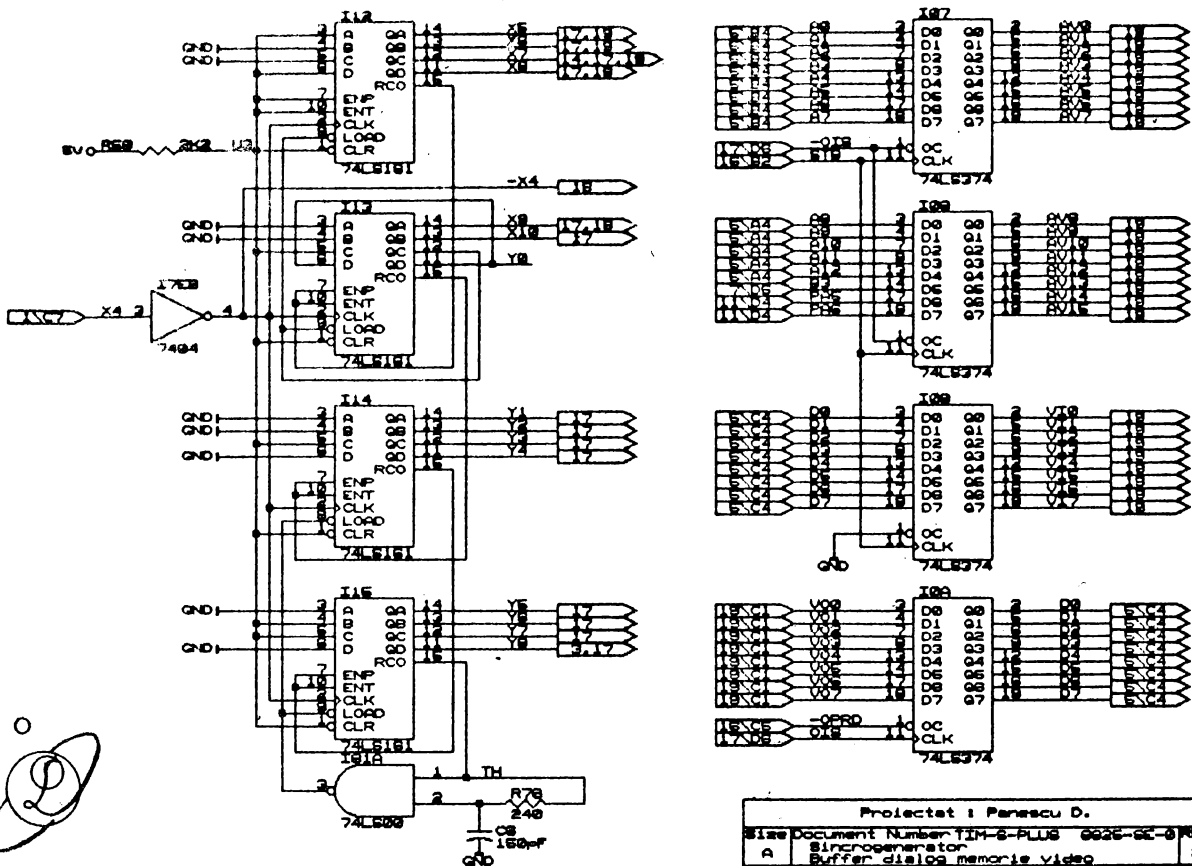
Projectat I Parescu D.  
 Size Document Number TIM-6-PLUS 9926-SC-8 REV  
 A Controller floppy 2  
 Date: January 1, 1988 Sheet 12 of 42



Projectat 1 Panescu D.

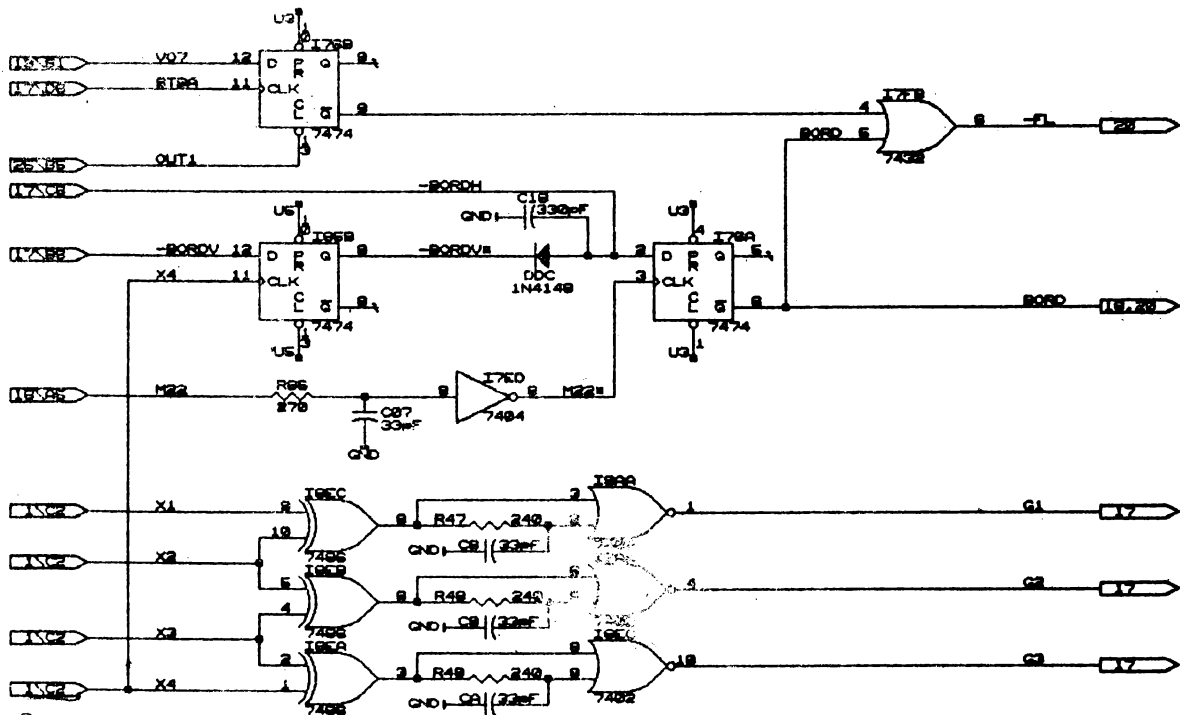
Size Document Number TIM-2-PLUS 6626-SC-0 REV  
A Scheme PLL

Date: January 1, 1988 Sheet 13 of 48



Proiectat I Parascu D.

Size Document Number I11-S-PLUG 0026-GE-0 REV  
 A Buffer generator  
 Buffer digital memory video 2  
 Date: January 1, 1980 Sheet 14 of 48

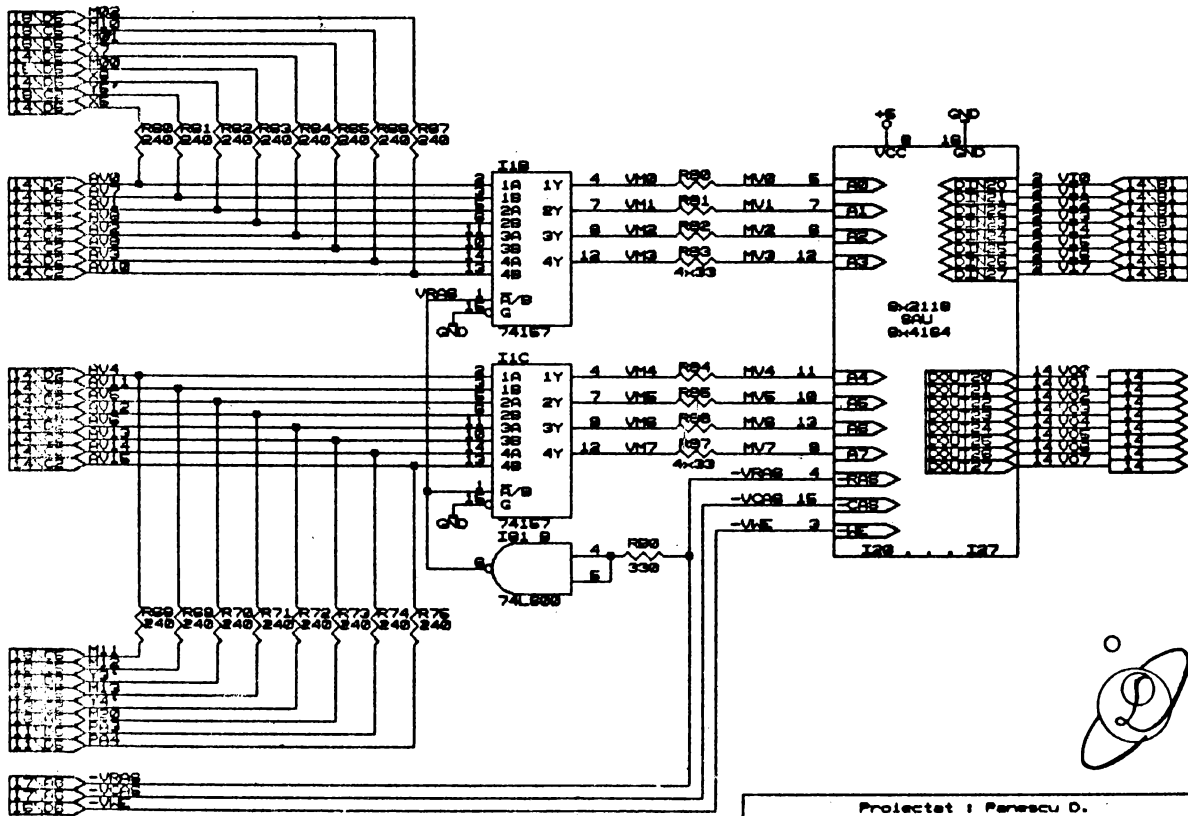










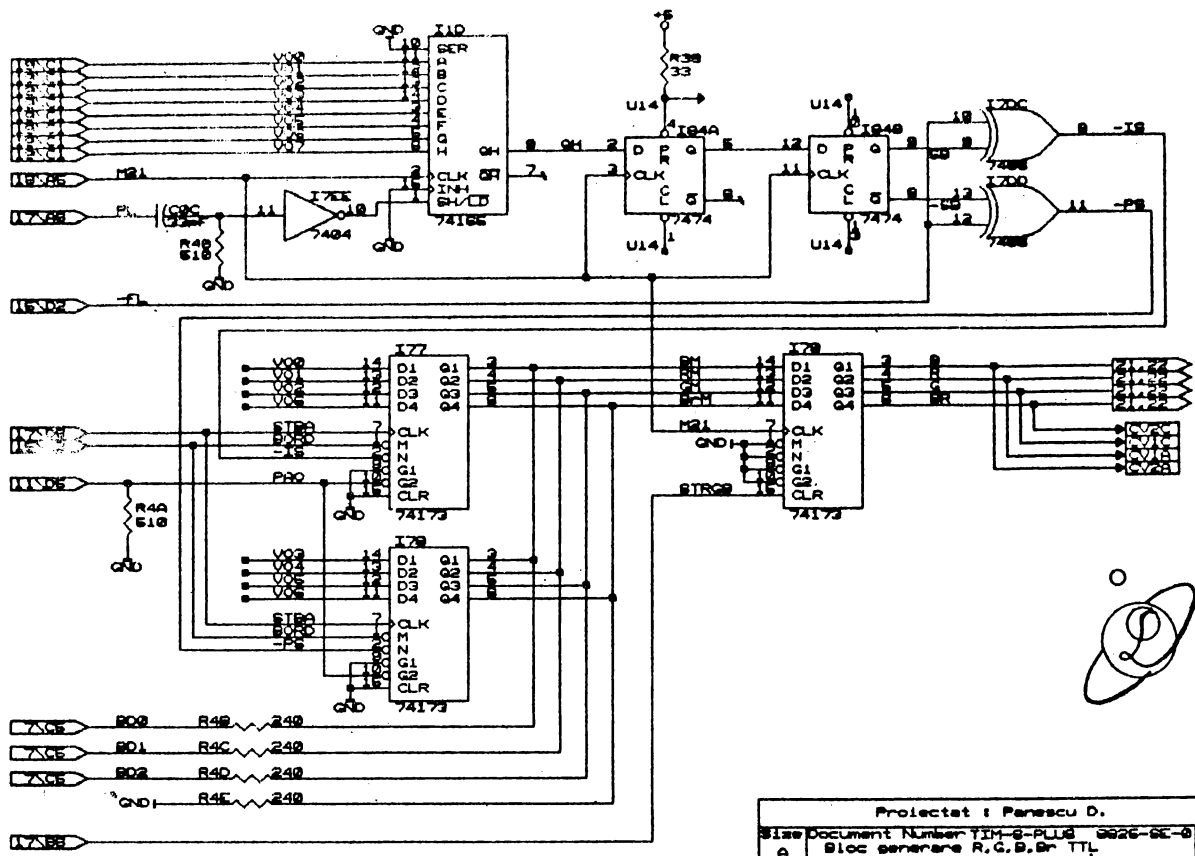


Projectat : Panescu D.

Size Document Number TIM-g-PLUS GG26-SC-8 REV

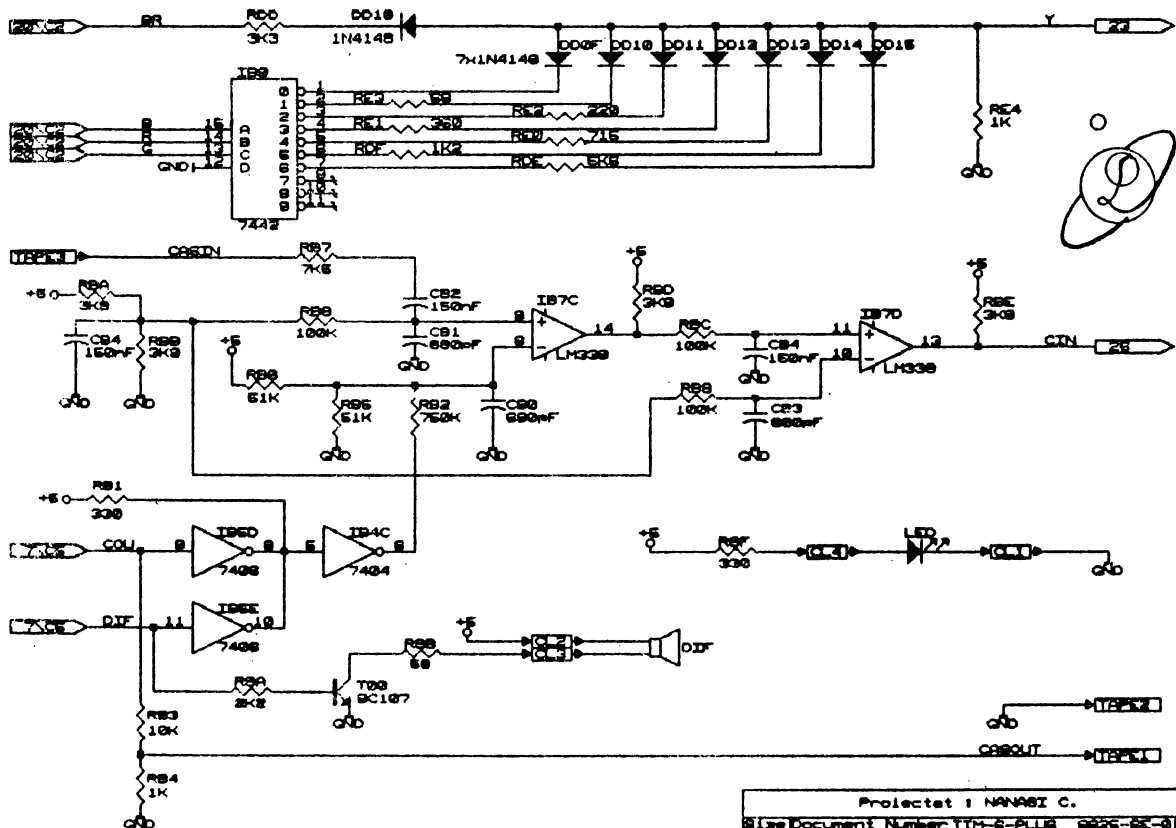
a RAM video address 2

Date: January 1, 1980 Sheet 18 of 42

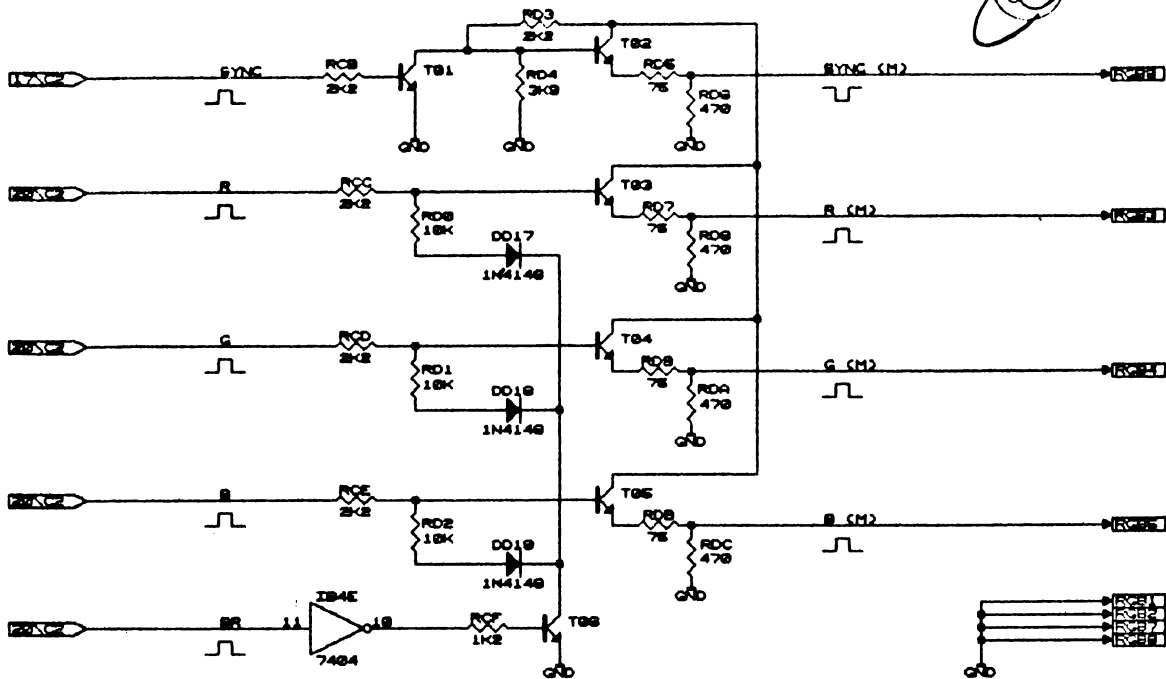


Proiectat : Panescu D.

Size Document Number TIM-8-PLUS 0026-00-0 REV		
A	Bloc generare R.G.D. Sr TTL	2
Date:	January 1, 1980	Sheet 28 of 42



Proiectat I NANABI C.  
 Size Document Number T1M-6-PLUS 6826-6E-0 REV  
 Formator nivel de ori  
 A Interfata cascitron difuzor. led. By 2  
 Date: January 1, 1988 Sheet 21 of 43



T01 - T05 : 2N2368

Projectat : NANABI C.

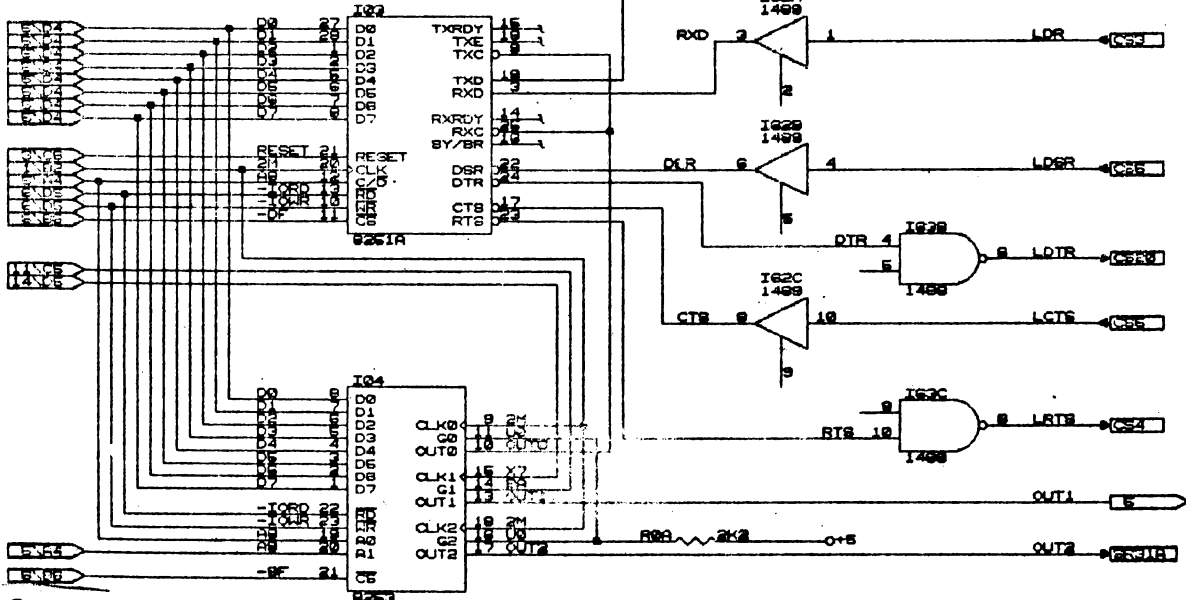
Size Document Number TIM-g-PLUS 0226-SC-8 REV  
 A Interfats monitor color RGB 2

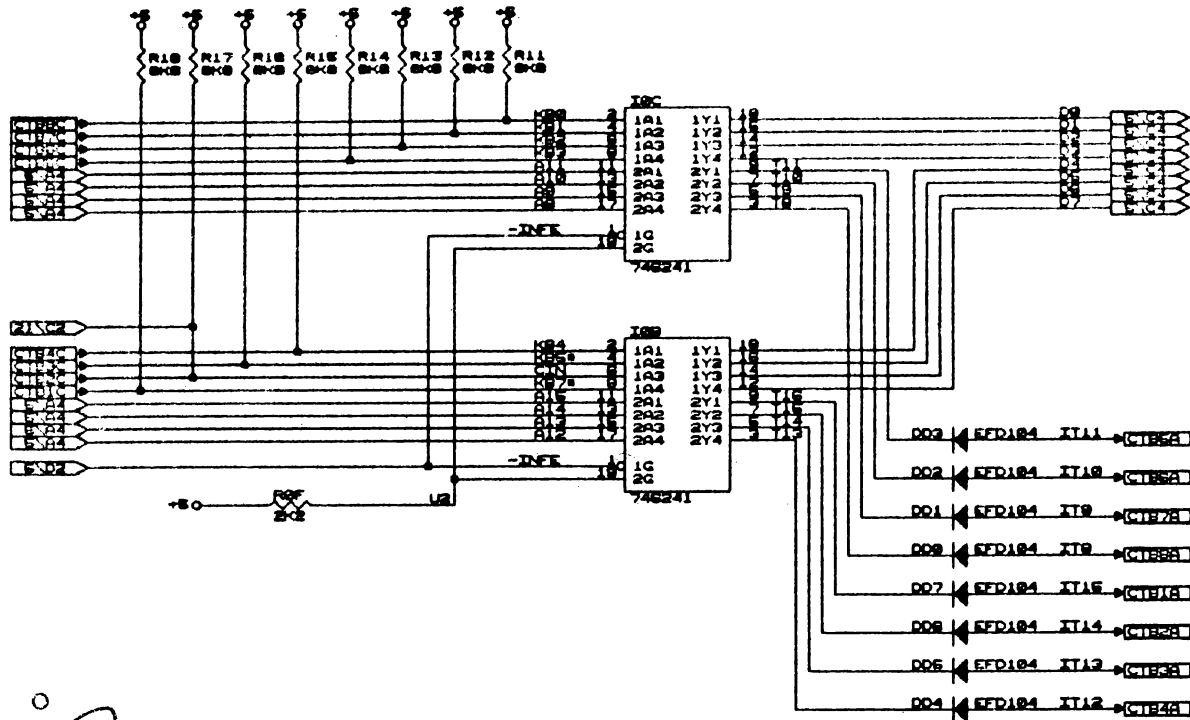
Date: January 1, 1988 Sheet 22 of 42

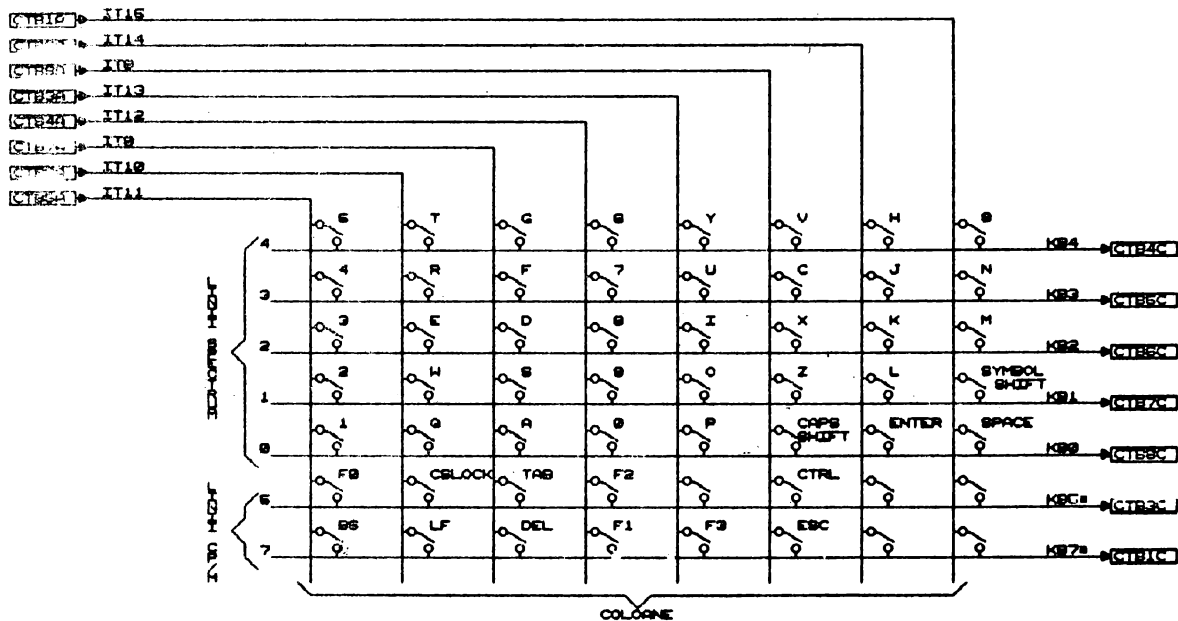


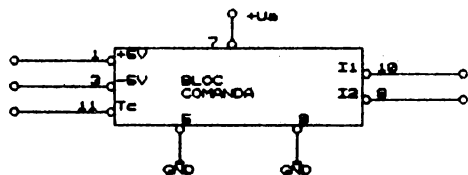












impulsuri de comanda

FIGURA 29A

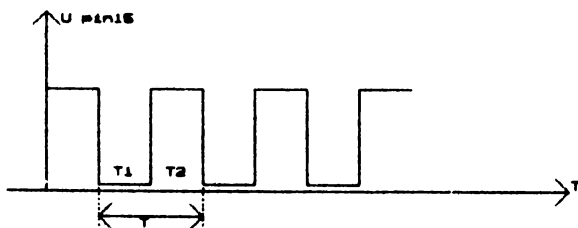


FIGURA 29B

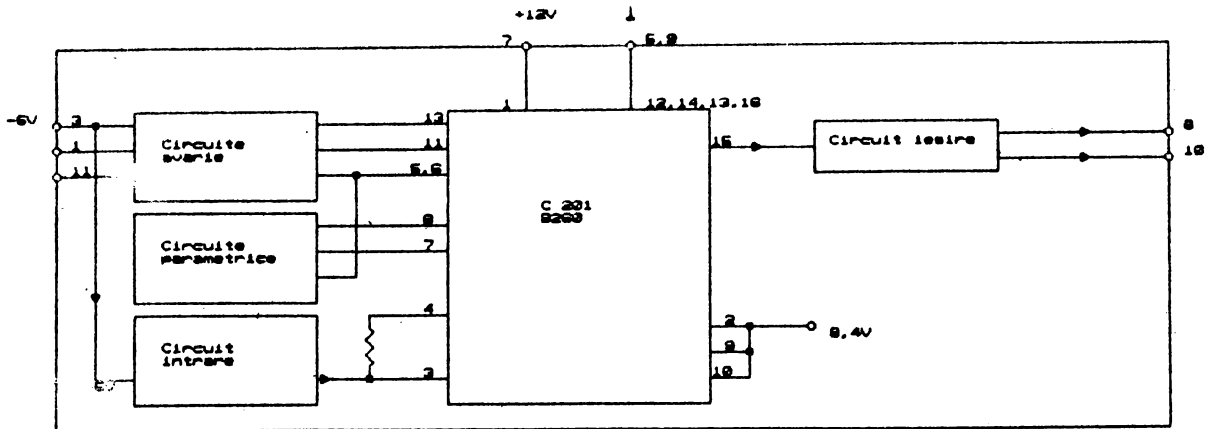
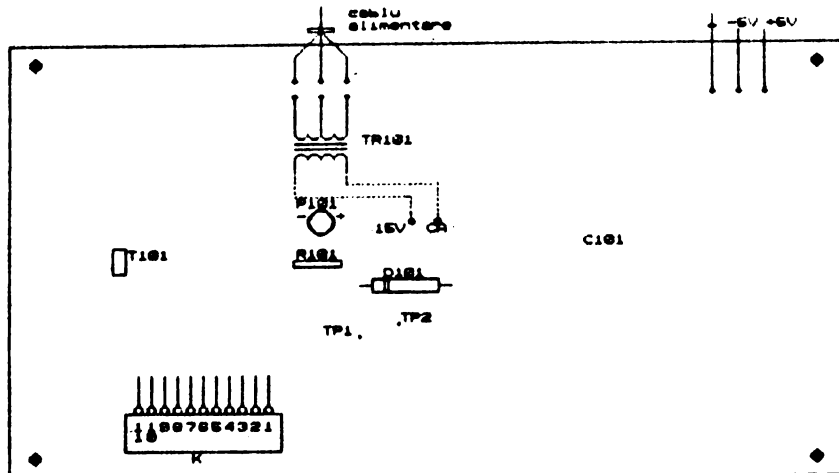


FIGURA 30

Size	Document Number	REV
A		
Date:	January 1, 1980	Sheet 30 of 42





Schema de implementare a standului de testare a placii de comanda.

**Lista de piese**

- Transformator 220V ca / 15V ca
- Condensator electrolitic 6800/25V
- Rezistență 300/1W RPH 3100
- Potentiometru ajustabil 100V/0,5W
- Transistor PD120
- Dioda Zener PL3V8
- Punte redresoare 1PMS5
- Cupla mama/conector CRDP 11 AB 200 004
- 2 pini pentru punctele de masura

FIGURA 38

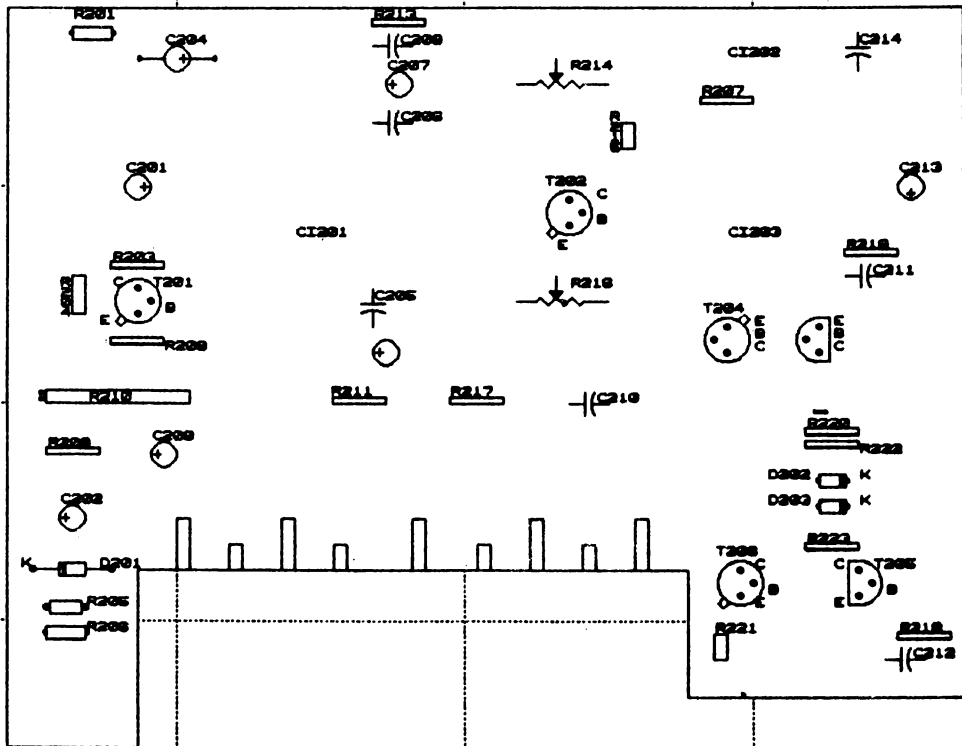


FIGURE 23

Issue Document Number

A



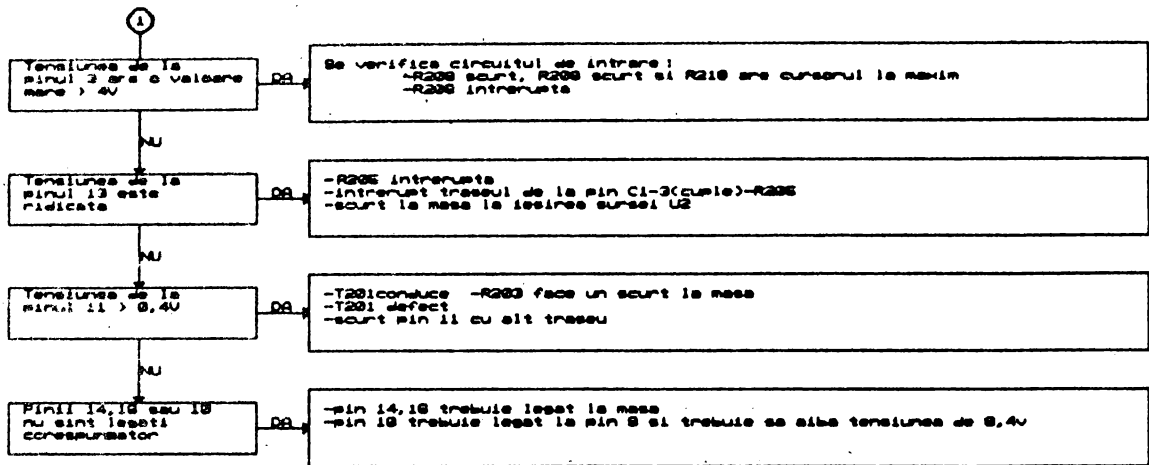


FIGURA 34

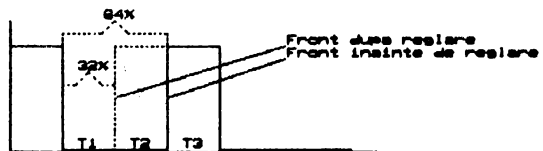


FIGURA 36A

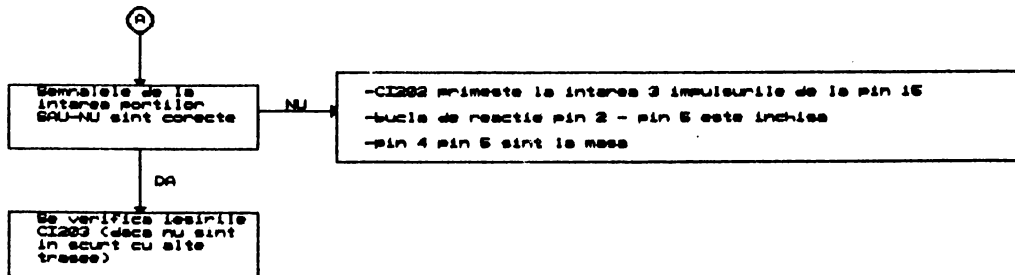


FIGURA 36B

Size Document Number		REV
A		
Date:	January 1, 1980	Sheet 36 of 49

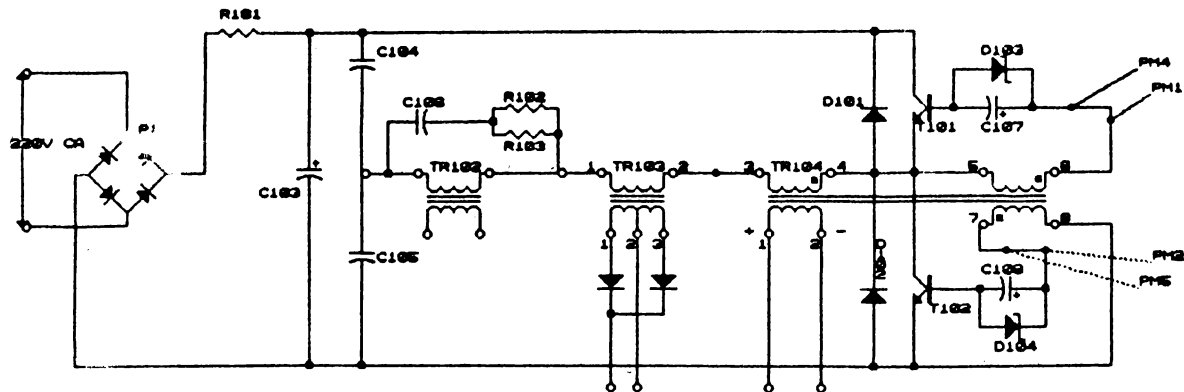


FIGURA 36

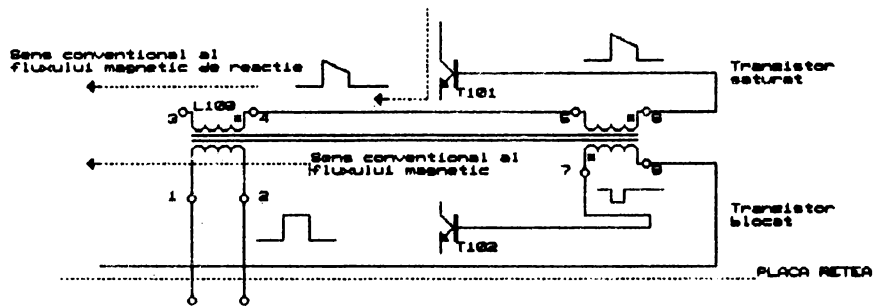


FIGURA 37A

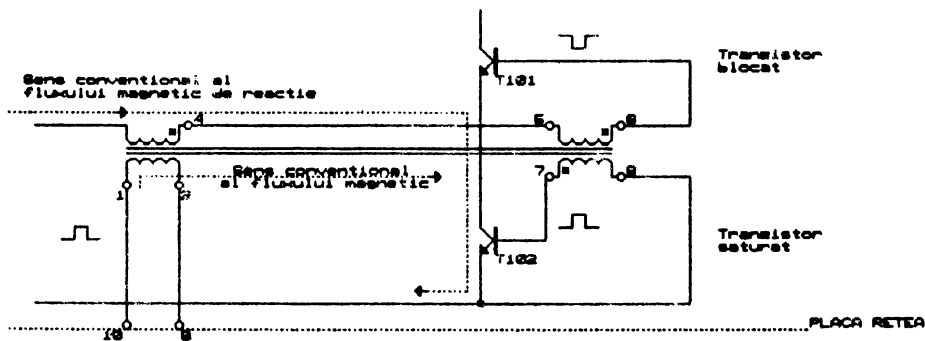


FIGURA 37B

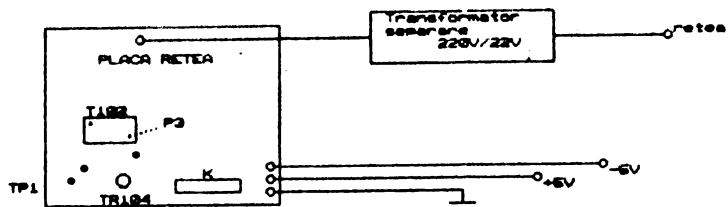


FIGURA 38A

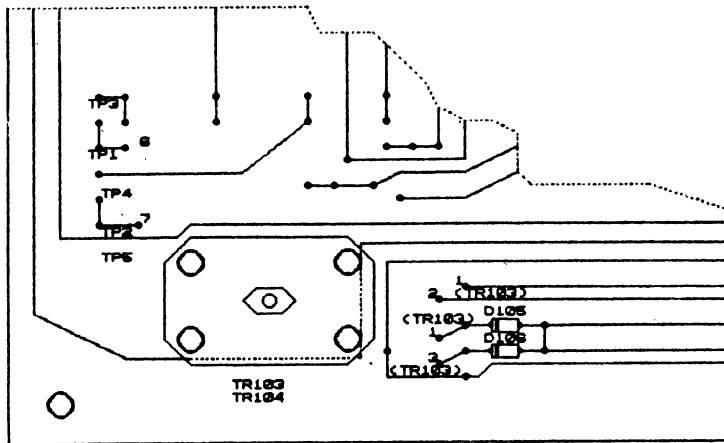
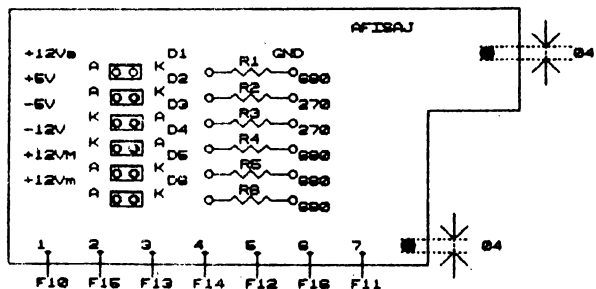
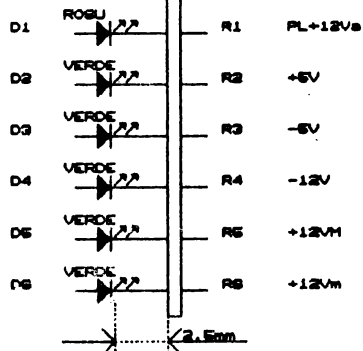


FIGURA 38B

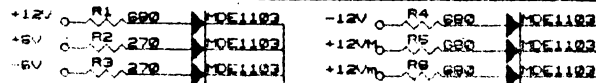


1- +12V  
 2- +5V  
 3- +12V<sub>m</sub>  
 4- +12V<sub>m</sub>

5- -12V  
 6- 0V  
 7- 0V



Pos.	Denumirea	Nr. desen sau STAS	Buc.	Material	Observatii	Masa neta
1	Circuit de afisare	9925-2.1.4.3.1-PD	1			
	Schema electrica	9925-2.1.4.3.2-BE	1			
D6	Diode electroluminiscente	MDE 1103	1		MICROEL	
D5	Diode electroluminiscente	MDE 1103	1		MICROEL	
D4	Diode electroluminiscente	MDE 1103	1		MICROEL	
D3	Diode electroluminiscente	MDE 1103	1		MICROEL	
D2	Diode electroluminiscente	MDE 1103V	1		MICROEL	
D1	Diode electroluminiscente	MDE 1103R	1		MICROEL	
R6	Resistenta 690Ω	RPM 3050	1		IPDE	
R5	Resistenta 690Ω	RPM 3050	1		IPDE	
R4	Resistenta 690Ω	RPM 3050	1		IPDE	
R3	Resistenta 270Ω	RPM 3050	1		IPDE	
R2	Resistenta 270Ω	RPM 3050	1		IPDE	
R1	Resistenta 690Ω	RPM 3050	1		IPDE	



PLACA CIRCUIT DE AFISARE

Size Document Number 9925 - 2.1.4.3.0 REV

Date: January 1, 1980 Sheet 41 of 43

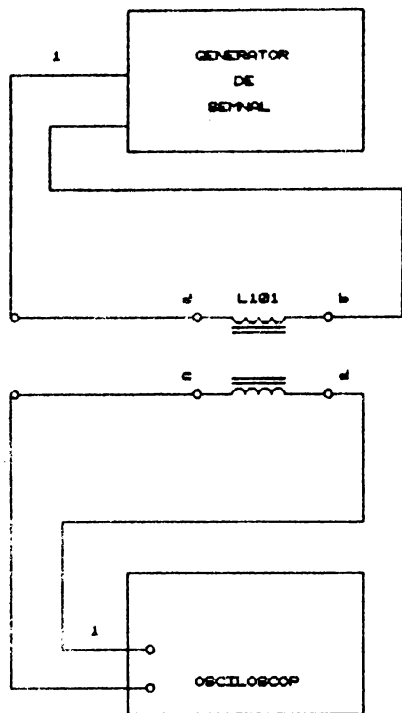


FIG. 42A

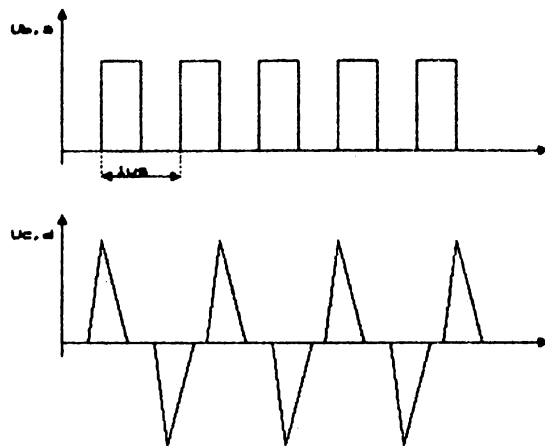


FIG. 42B